

Double-Link Beam Load Cell

FEATURES

- Capacities: 50k to 125k lbs
- Stainless steel construction
- Certified to NTEP class IIIIL 10000 divisions
- Sealing: IP68
- Low profile, self-checking and self-centering
- Optimized design specially for weighbridge use
- Optional conduit adapter
- **Optional**
 - FM approved for use in potentially explosive atmospheres



APPLICATIONS

- Truck scales
- Railroad track scales
- “Legal for Trade” tank, bin and hopper weighing

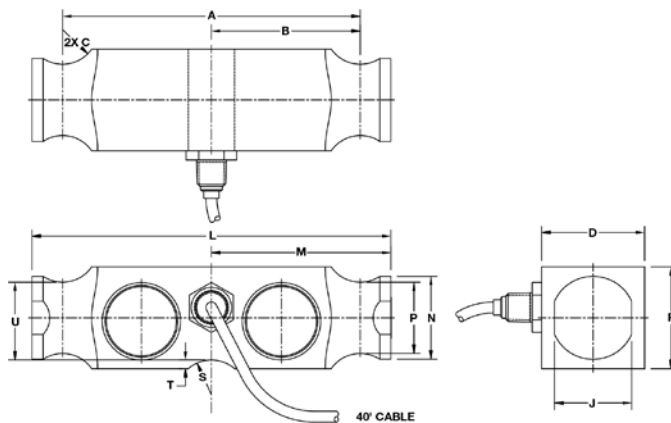
DESCRIPTION

The 9223 is a hermetically sealed, end loaded, center supported double-ended shear beam.

This product is suitable for a wide range of truck and rail scales. It is designed to use parallel link loading, considered by many weighing experts to be advantageous when compared to other loading techniques.

Fully welded stainless steel seals ensure high environmental integrity and provided that additional cable sealing is used, occasional submersion can occur without damage. These products meet the stringent Weights and Measures requirements throughout USA.

OUTLINE DIMENSIONS in inches



Cable specifications:

Cable length: 40 feet

+	Excitation	Red
-	Excitation	Black
+	Output	Green
-	Output	White
	Shield	Transparent

Cable screen is not connected to load cell body. Performance may be affected if load cell cables are shortened.

CAPACITY (lbs)	50k, 65k, 100k, 125k
A	8.50
B	4.25
C RAD	1.00
D	2.94
F	2.94
J	2.20
L	10.25
M	5.13
N	2.40
P	2.06
S RAD	1.00
T	0.25
U	2.25

Double-Link Beam Load Cell

SPECIFICATIONS			
PARAMETER	VALUE		UNIT
Standard capacities (E_{max})	50k, 65k, 100k, 125k		lbs
Accuracy class according to NTEP	NTEP IIIIL	Non-Approved	
Maximum no. of verification intervals (n_{IC})	10000		
Rated output (=S)	3		mV/V
Rated output tolerance	0.003		±% mV/V
Zero balance	1.0		±% FSO
Combined error	0.0200	0.0500	±% FSO
Non-repeatability	0.0100	0.0200	±% FSO
Creep error (20–30 minutes)	0.0300	0.0300	±% applied load
Temperature effect on on minimum dead load output	0.0008	(0.0140)	±% FSO/°F (/5°C)
Temperature effect on sensitivity	0.0010	(0.0070)	±% applied load/°F (/5°C)
Compensated temperature range	-10 to +40 (+14 to 104)		°C (°F)
Operating temperature range	-53 to +93 (-65 to +200)		°C (°F)
Safe load limit	150		% E_{max}
Ultimate load	300		% E_{max}
Safe side load limit	100		% E_{max}
Excitation voltage recommended	10		V
Excitation voltage maximum	15		V
Input resistance	700±7		Ω
Output resistance	700±7		Ω
Insulation resistance	≥5000		MΩ
Environmental protection	IP68		
Element material	Stainless steel		ASTM

FSO—Full Scale Output

All specifications subject to change without notice.